



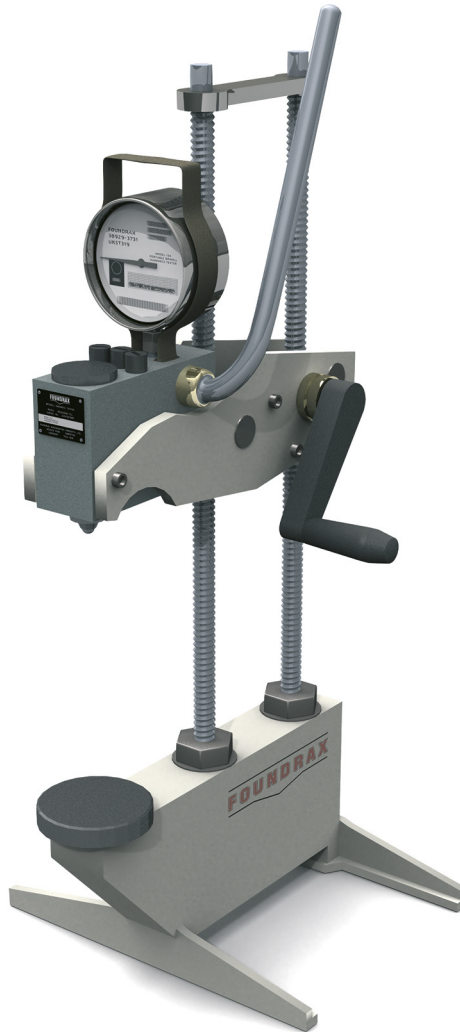
0231



FOUNDRAx

Model 134 Brinell Hardness Tester

— Setting the standards in Brinell hardness testing equipment —



RUGGED PRECISION

Laboratory accuracy under
steelworks conditions



Model 134

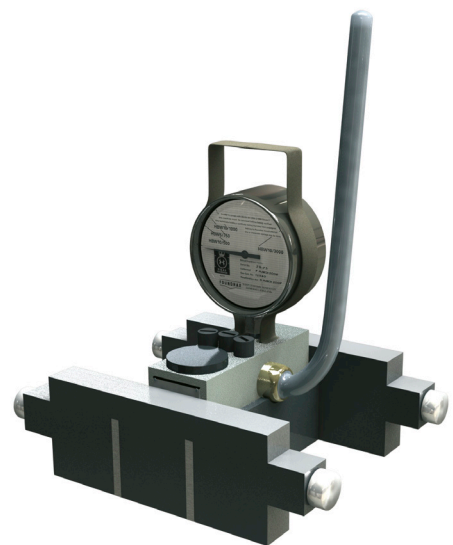
The standard Model 134 portable Brinell hardness tester consists of a 29 420N (3000Kgf) capacity test head mounted in a frame. The test head is hand cranked up and down in the frame and the instrument is used either as a bench machine with the workpiece being placed on the anvil in the usual manner, or it is used as a portable machine and is taken to the workpiece and clamped onto it like a G-clamp. This enables large and cumbersome items to be quickly and correctly tested wherever they are - on the shop floor, in a yard, or at another factory or customer site.

The Model 134 portable Brinell hardness tester makes an accurate Brinell hardness test in whatever location and on whichever plane it is used. The Brinell indentation is measured conventionally using either a manual or automatic Foundrax Brinell microscope. The standard equipment and optional accessories will cover almost all Brinell hardness testing applications without difficulty.

Special adapters and converters

Foundrax can manufacture special adapters and converters as required to retrofit the Model 134 test head to other frames as required.

Foundrax is the world leader in Brinell hardness testing. We manufacture and supply the most comprehensive range of machines and equipment available today, and continuously develop and improve our processes, procedures and products to remain at the forefront of the industry.



All Foundrax products are offered with UKAS certificates of calibration and offer a robust, reliable, and cost-effective solution to the Brinell hardness test process on which so many industries rely.

The Model 134:

- Applies the full 29 420N (3000kgf) test force on a 10mm ball. Other test forces and indenters are available
- Applies the full test force with an accuracy of $\pm 0.5\%$.
- Used equally well as a bench machine, or can be taken to the job on-site.
- Used in any position - in any location the tester is always accurate.
- Removable test head, standard accessories, and special adapters make its application almost unlimited.

Optional accessories include:

Chain Adapter:

The Model 134 with Chain adapter allows testing of cylindrical components over 200mm in diameter anywhere along the length of the component.



Bench Adapter:

For bench mounting the machine.



Railway Track Adapter:

The model 134 with railway track adapter allows the user to test track during manufacture or in situ as required.



Long Ram Test Head:

Long ram test heads are used with the 134 frame for testing over flanges, lips etc. The ram which holds the ball indenter is extended by 50mm and is 20mm \varnothing .



Also available:

5mm Ball Adapter:

For tests at 7355N (750kgf).

Vee Anvil/Locator:

Simply and properly locates the machine on cylindrical components over 150mm in diameter.

Reference Gauge:

A set of UKAS certified Brinell indentations to check measurement capability etc.

Reverse Adapter:

Brinell ball and anvil are interchanged enabling tests to be made in inaccessible places where the test head will not fit but where the arrow shoe of the frame will.

Specifications

Test head: calibrated in a single test force from 4 903-29 420N (500-3000kgf.). Weight 4.5kg.

Frame type 134: gap 340mm, throat 100mm. Weight 9.5kg.

Standard equipment

Flat, domed & vee anvils: for different shaped workpieces.

Shipping specification

Packed in one case 0.053m³

Gross weight 20.5kg

Alternative test heads (machine supplied calibrated in single test force only).

Long ram test heads used with the 134 frame for testing over flanges, lips etc.

The ram which holds the ball indenter is extended by 50mm and is 20mm \varnothing .

Contact Us

TemaFlux srl

Via N. Tartaglia 11, Gussago (BS), Italy
Tel +39 030 322079 – Fax +39 030 311872
temaflux@temaflux.com – www.temaflux.com

Foundrax were established in 1948 and are the only company in the world to truly specialise in Brinell hardness testing equipment and accessories. We invented commercial automatic Brinell measurement and were the first company to be officially recognised for the manufacture of Brinell Reference Blocks in the UK. We have manufactured several National Standard Calibration machines and production machines which have performed tens of millions of tests (over 30 million in one case). Our equipment is used in 46 countries around the world and 94% of our customers say they would recommend us.

The Foundrax range includes everything from reference blocks, portable Brinell hardness testers and National Hardness Standard Calibration Machines through to heavy duty, fully automatic production machines which operate 24/7.

Not only is our equipment used in several National Metrological Institutes providing National hardness standards, but it is also found in steelworks, foundries, forges and heat treatment plants around the world and many other industries besides.



UKAS accredited



Supporting the Brinell test worldwide for nearly 70 years



Innovators and specialists



Custom designed machinery

RUGGED PRECISION

Laboratory accuracy under steelworks conditions

